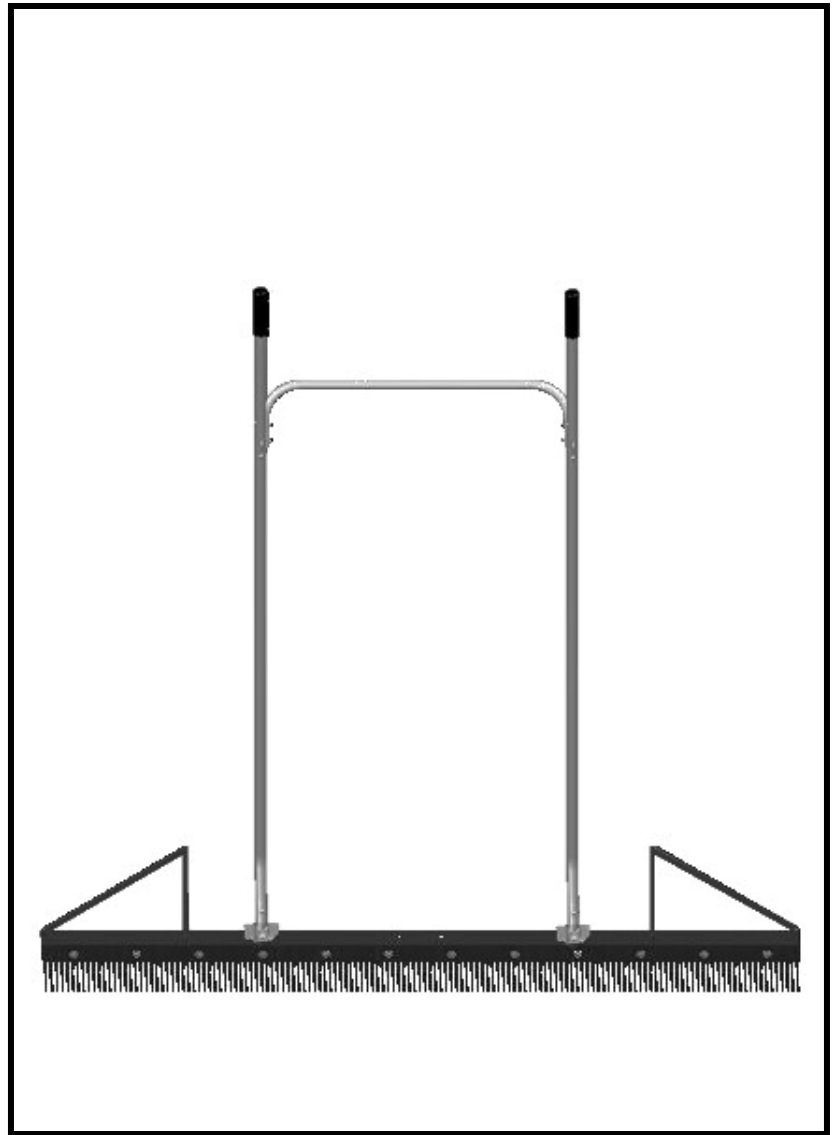


Assembly Manual

Model No.
SCR10

- Assembly
- Parts Explosion
- Replacement
Parts
- Operation
- Maintenance
- Proper Storage
- Product
Specification
- Warranty



Court Rake Hand Model

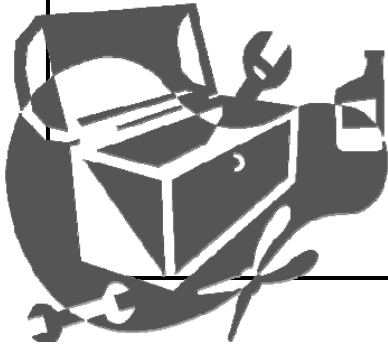
HAR
TRU
CLAY COURTS

Thank you for choosing Har-Tru
brand products.

Table of Contents

Assembly	
Tools Needed _____	3
Assembly Instructions _____	4
Parts Explosion	
Replacement Parts _____	5
Assembly Packages _____	6
Parts Replacement Instructions	
Teeth Replacement _____	8
Product Operation _____	8
Maintenance _____	9
Proper Storage _____	9
Product Specification _____	9
Warranty _____	10
Support Contact _____	10

Tools Needed



1/2" Open or Closed Wrench



3/8" Open or Closed Wrench






Phillips Head Screw Driver

Assembly

Before you begin:

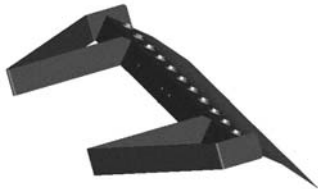
Parts Identification:

	Rake Assembly (6)	Hardware:	
	2 Handle Assemblies (5)	4	3/16" X 1-1/2" Stove Bolts
	1 Crossbar (9)	4	10-24 Stop Nuts
		2	5/16" X 1-1/4" Hex Bolt
		2	5/16" Lock Washer
		2	5/16" Hex Nut

Important: Please make sure you have all the parts before assembling.

Assembly Instructions:

Illustration 1

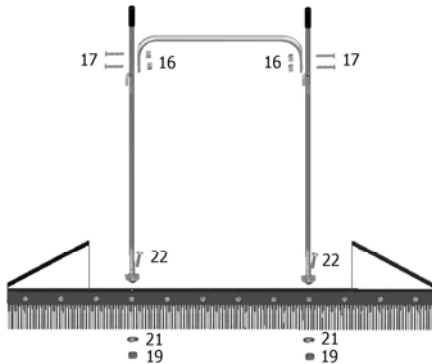


Step 1

Position the Rake so that you can attach the two Handles and Crossbar to the Rake Assembly. Make sure Rake teeth are bowed downward and the angled frame is at a peak in an upward position.

See Illustration 1

Illustration 2



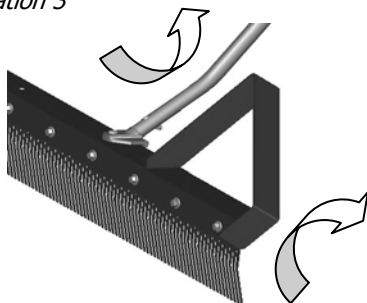
Step 2

Attach the 2 Handle Assembly's to the Court Rake Frame by inserting the Cap Screws (22) down through Handle Connectors (8), through the 2 outer holes in the Court Rake Frame. See the curvature position of the handle in Illustration 3. Insert 5/16" Lock Washers (21) and 5/16" Hex Nuts (19). Hand tighten only.

Note: Handles will fit either side.

See Illustration 2

Illustration 3



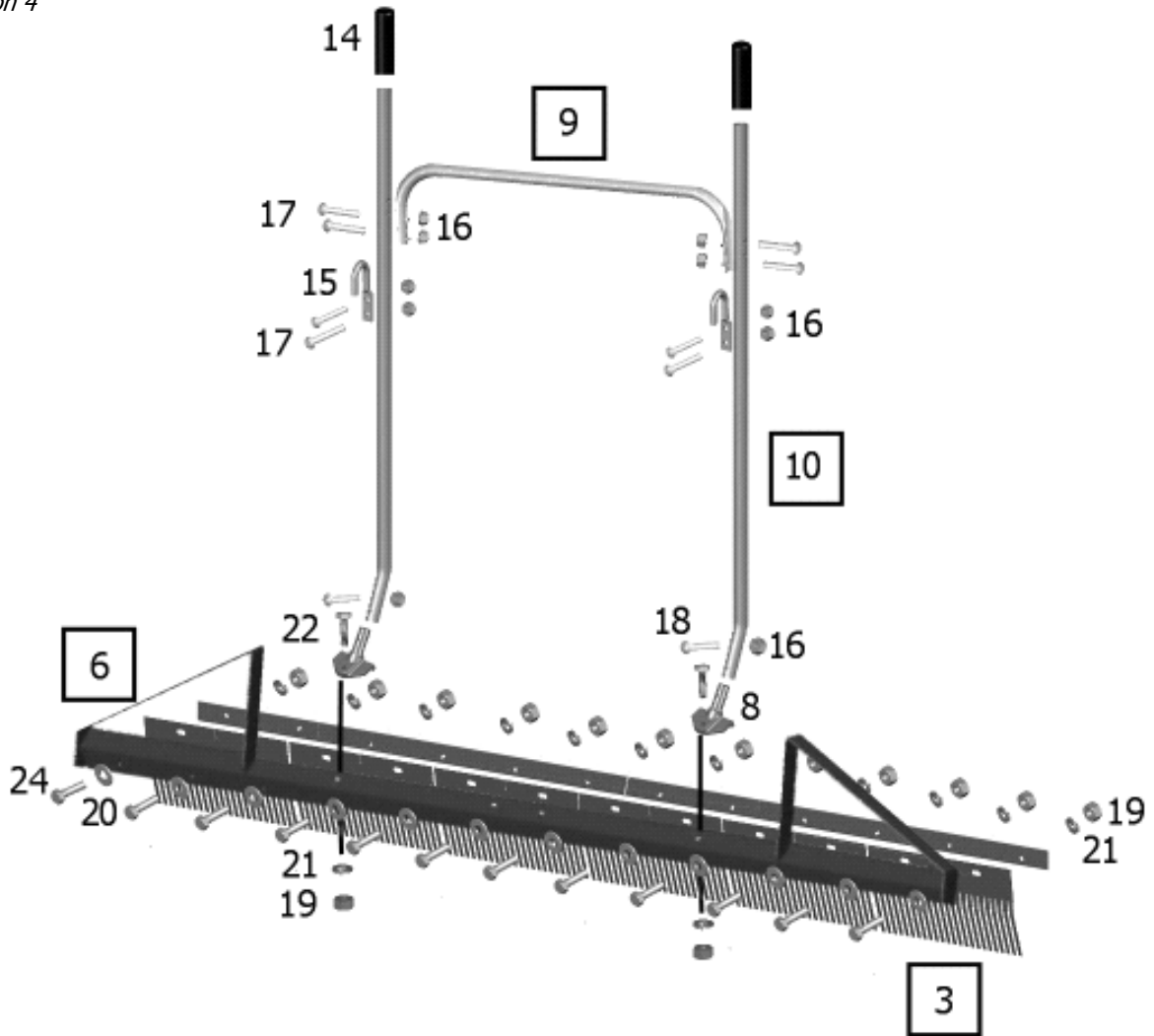
Step 3

Attach the Crossbar to each handle using 4 3/16"x 1-1/2" Stove Bolts (17) and 4 10-24 Stop Nuts. Tighten all Hardware.

See Illustration 3

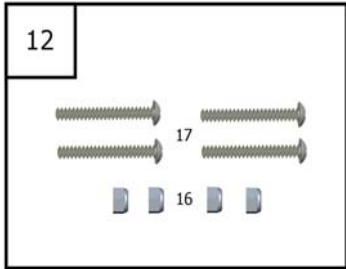
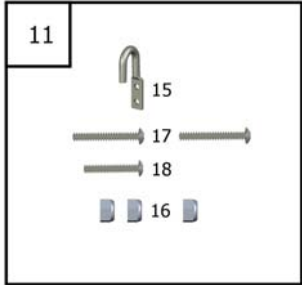
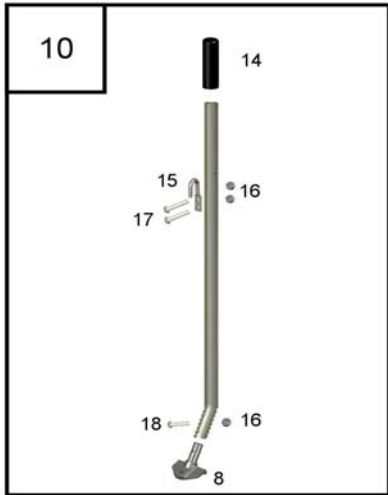
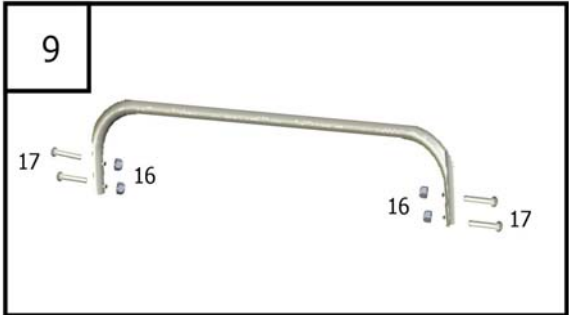
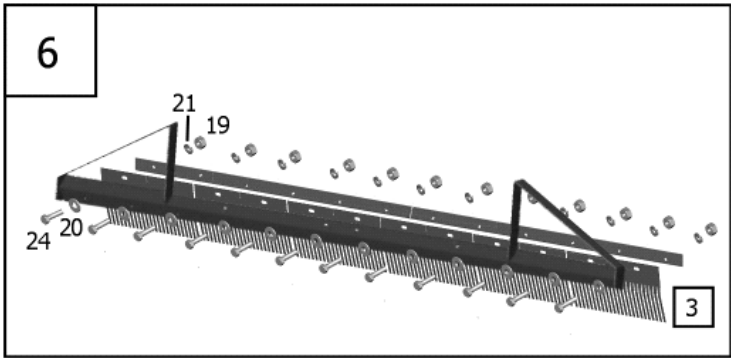
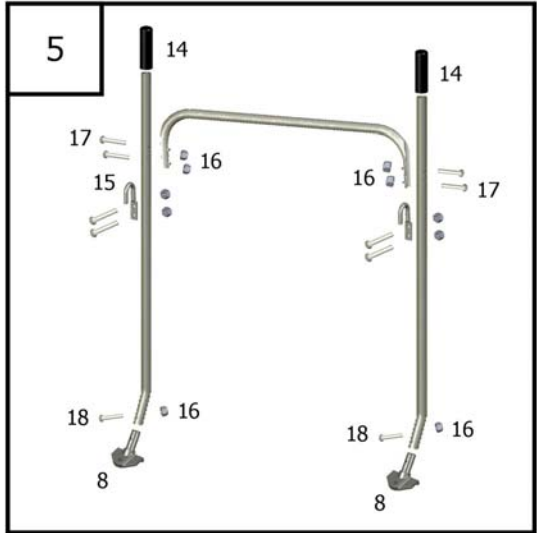
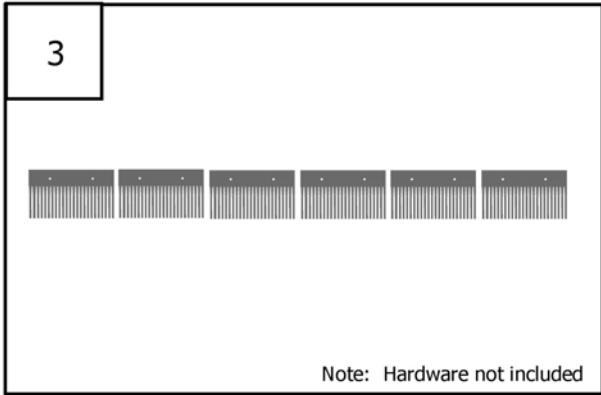
Replacement Parts

Illustration 4



Ref No.	Part Number	Description	QTY
8	HAN33	Handle Connector, no hardware included	2
14	HAN3031	Black Handle Grip	2
15	HAN3536	Rope Binding Hook Only	2
16	FAS02N10000STPZN	10-24 Elastic Stop Nut	10
17	FAS03316112STVZN	3/16" X 1-1/2" Stove Bolt	8
18	FAS03316114STVZN	3/16" X 1-1/4" Stove Bolt	2
19	FAS02516000HEXZN	5/16" Hex Nut Zinc Plated	14
20	FAS04516000FLTZN	5/16" Flat Washer Zinc Plated	12
21	FAS04516000LOCZN	5/16" Lock Washer Zinc Plated	14
22	FAS01516114HEXZN	5/16" X 1-1/4" Hex Bolt Zinc Plated	2
24	FAS01516100HEXZN	5/16" X 1" Hex Bolt Zinc Plated	12

Assembly Packages



Assembly Package Parts

Ref No.	Part Number	Description	QTY
3	SCR0714TGK	Set of 6 Powder Coated Teeth ¼" Wide	1 set
5	SCR08	Court Rake Handle Set & Crossbar	1
	117C-A	2 Handle Connector (8)	
	HAN3031	2 Black Handle Grip (14)	
	HAN3536	2 Rope Binding Hook Only (15)	
	FAS02N10000STPZN	10 10-24 Elastic Stop Nut (16)	
	FAS03316112STVZN	8 3/16" X 1-1/2" Stove Bolt (17)	
	FAS03316114STVZN	2 3/16" X 1-1/4" Stove Bolt (18)	
	FAS02516000HEXZN	2 5/16" Hex Nut Zinc Plated (19)	
	FAS04516000LOCZN	2 5/16" Lock Washer Zinc Plated (21)	
	FAS01516114HEXZN	2 5/16" X 1-1/4" Hex Bolt Zinc Plated (22)	
6	SCR07	Court Rake Assembly w/o Handle	1
	05CT-TEETH/SET	1 Set of 6 Powder Coated Teeth ¼" Wide (3)	
	FAS02516000HEXZN	12 5/16" Hex Nut Zinc Plated (19)	
	FAS04516000FLTZN	12 5/16" Flat Washer Zinc Plated (20)	
	FAS04516000LOCZN	12 5/16" Lock Washer Zinc Plated (21)	
	FAS01516100HEXZN	12 5/16" X 1" Hex Bolt Zinc Plated (24)	
9	117CB-A	Court Rake Crossbar	1
	FAS02N10000STPZN	4 10-24 Elastic Stop Nut (16)	
	FAS03316112STVZN	4 3/16" X 1-1/2" Stove Bolt (17)	
10	117H-A	Court Rake individual Handle Assembly	2
	117C-A	1 Handle Connector, no hardware included (8)	
	HAN3031	1 Black Handle Grip (14)	
	HAN3536	1 Rope Binding Hook Only (15)	
	FAS02N10000STPZN	3 10-24 Elastic Stop Nut (16)	
	FAS03316112STVZN	2 3/16" X 1-1/2" Stove Bolt (17)	
	FAS03316114STVZN	1 3/16" X 1-1/4" Stove Bolt (18)	
11	FAS3001	Handle Hardware Bag (Set)	1
	HAN3536	2 Rope Binding Hook Only (15)	
	FAS02N10000STPZN	10 10-24 Elastic Stop Nut (16)	
	FAS03316112STVZN	8 3/16" X 1-1/2" Stove Bolt (17)	
	FAS03316114STVZN	2 3/16" X 1-1/4" Stove Bolt (18)	
	FAS02516000HEXZN	2 5/16" Hex Nut Zinc Plated (19)	
	FAS04516000LOCZN	2 5/16" Lock Washer Zinc Plated (21)	
	FAS01516114HEXZN	2 5/16" X 1-1/4" Hex Bolt Zinc Plated (22)	
12	FAS3004	Cross Bar Hardware Bag	1
	FAS03316112STVZN	2 3/16" X 1-1/2" Stove Bolt (17)	
	FAS02N10000STPZN	4 10-24 Elastic Stop Nut (16)	

Replacement Instructions

The Court Rake comes standard with 6 individual teeth plates which allow you to replace worn teeth easily.

To replace Court Rake teeth, simply loosen and remove the 5/16" Hex Nuts (19), 5/16" Lock Washers (21), 5/16" Flat Washers (20) and 5/16" X 1" Hex Head Bolts (24) from the Court Rake Assembly. This will allow the Court Rake Teeth Support Bar to be removed as well, exposing the individual Teeth plates. Now remove all six Court Rake Teeth plates (3).

Install new Teeth Plates (3) then replace the Court Rake Teeth Support Bar (4) and reattach the hardware. Make sure to tighten each nut securely with a wrench.

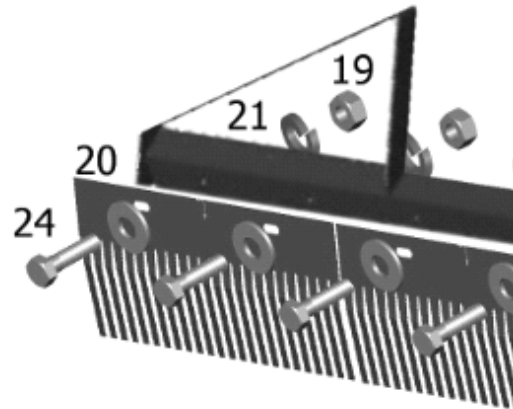


Illustration 5

The Court Rake will come with 1/4" wide teeth as a standard unit. You can purchase optional 3/8" Teeth to give your Court Rake a more rigid raking effect.

Operation

The Court Rake is designed to loosen and groom your clay court surface. When used on a regular basis, the Court Rake will keep the clay court surface smooth and biological growth problems to a minimum. The Court Rake can be safely pulled over Line Tapes and has a built-in fence and net guard.

See Illustration 6

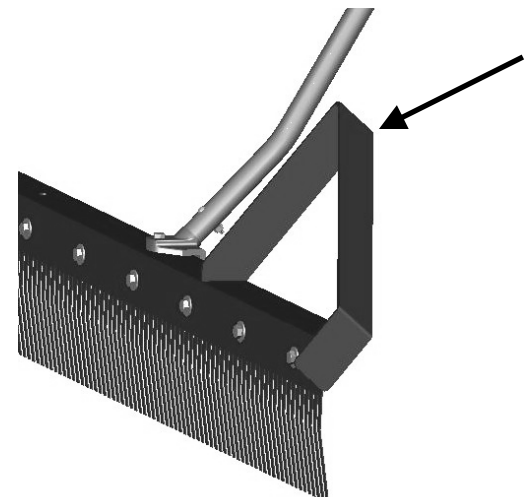


Illustration 6

Maintenance

Keep the Court Rake clean of tennis court surfacing by spraying the rake off with a garden hose. Also, make sure the Court Rake is free from debris. If teeth are missing, replace as per instructions.

Proper Storage

The Hand model Court Rake comes with 2 hooks on the handles which allow you to hang the Court Rake on the court fencing for quick use. For long term storage, store inside to prevent rusting.

Specifications

Model Number	SCR10
Overall Length	73"
Assembled Weight	35 lbs
Material: Rake	All Steel Construction with a Powder Coated finish
Material: Handle	Aluminum

Warranty

Limited Warranty

Lee Tennis warrants this product for one year from the date of purchase and will either repair or replace at its option, free of charge, any part or parts found to be defective in materials or workmanship. Transportation charges under this warranty must be paid by the purchaser unless return is requested by *Lee Tennis*.

This Warranty will not apply to any part which has become inoperative due to; misuse, accident, neglect, improper maintenance or alterations. The unit must be operated and maintained in accordance with the instructions furnished.

Support Contact

If you need assistance with this product, contact Lee Tennis Court Products at 1-877-4-HAR-TRU or go online to www.leetennis.com or contact your local distributor.

Our Mailing Address is:

Lee Tennis Court Products
650 Peter Jefferson Parkway, Suite 300 B
Charlottesville, VA 22911



Lee Tennis Court Products
650 Peter Jefferson Parkway, Suite 300 B
Charlottesville, Virginia 22911
877-4-HAR-TRU • fax 434-971-6995
www.leetennis.com