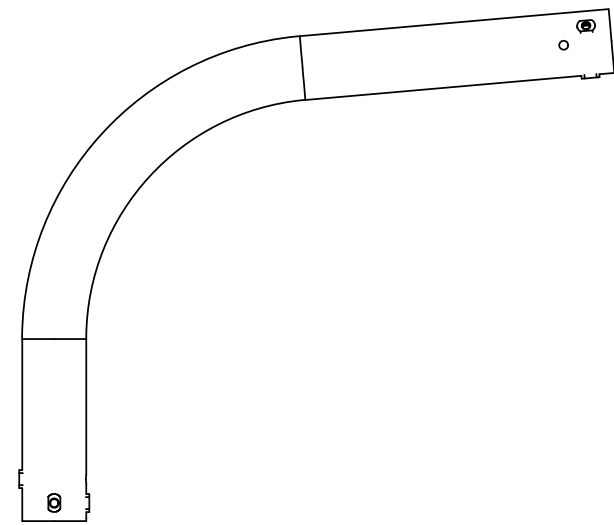


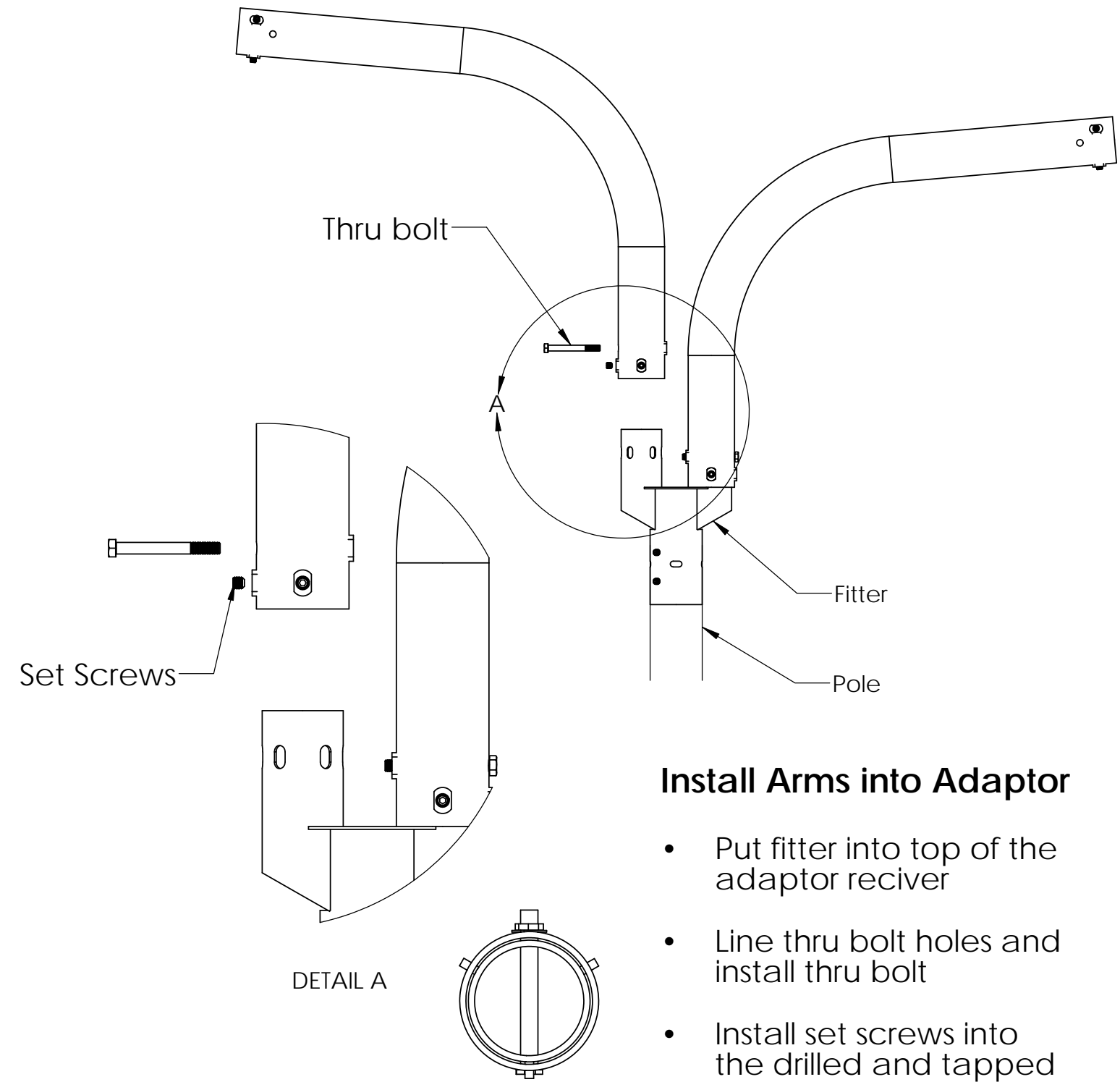
### Installing Adaptor

- Put Adaptor into the top of the pole
- Line thru bolt holes and install thru bolt
- Install set screws into the drilled and tapped holes on the pole



### Install Single Arm into pole

- Put fitter into the top of the pole
- Line thru bolt holes and install thru bolt
- Install set screws into the drilled and tapped holes on the pole



### Install Arms into Adaptor

- Put fitter into top of the adaptor reciver
- Line thru bolt holes and install thru bolt
- Install set screws into the drilled and tapped holes on the pole

### \*Installing wires\*

Make sure to route wires through arms, poles, and adaptors for electrical connections to the fixtures before final assembly! The adaptors and nut plates have holes to route wires internally.